

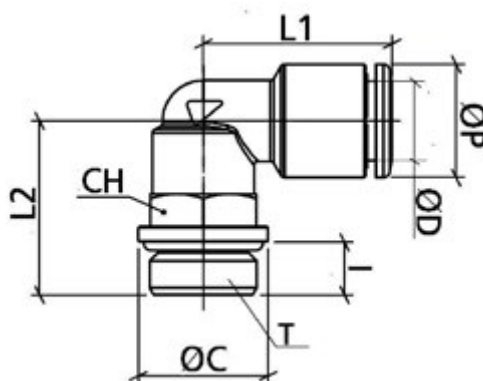
Data Sheet



Article number: 589OTRL10G02

Description: Metal Push-in fitting, elbow- Ø10 /G 1/4", w. o-ring
Type: OTRL10G02, Nickel plated brass

Measures



= 10
= G1/4"
= 16
= 16
= 6.5
= 26
= 23
= 16

Weight = 35